



Trailmate

www.trailmate.com

HEFTY HAULER

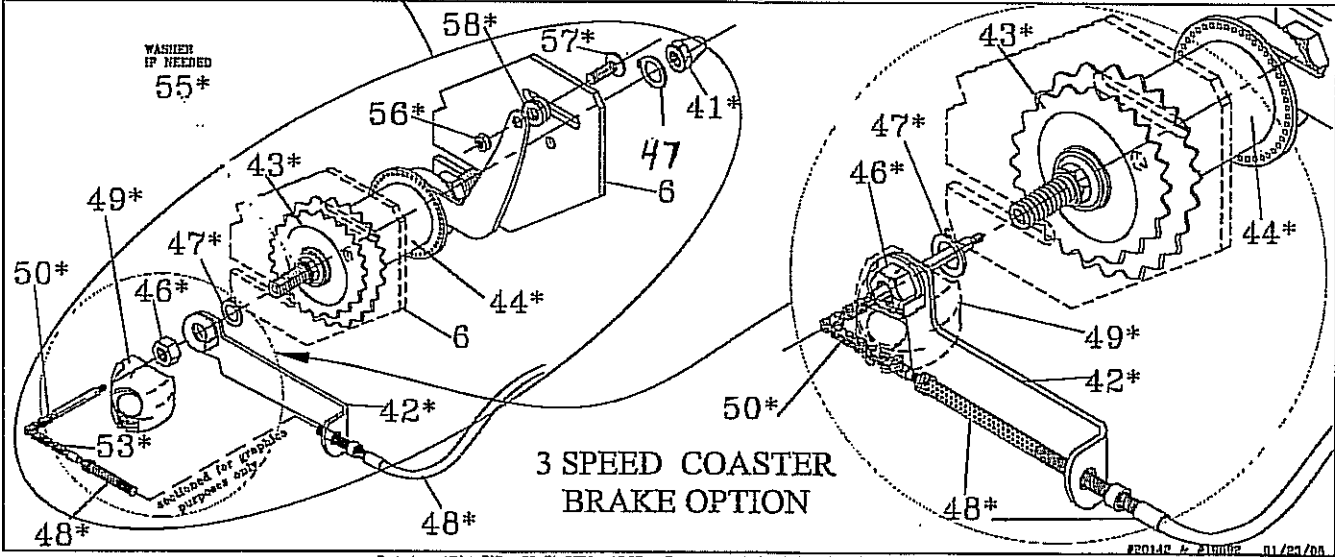
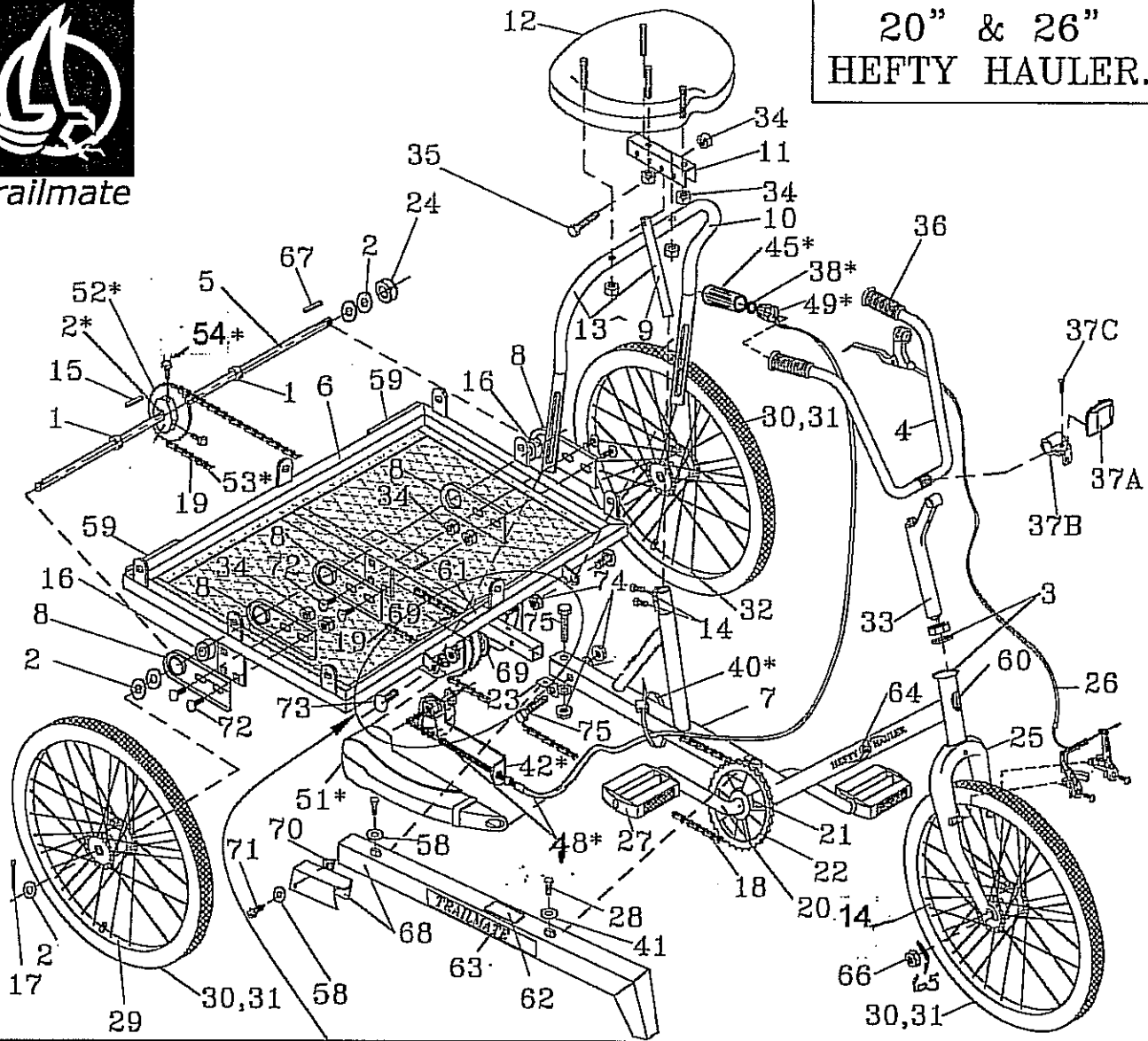


OWNER'S MANUAL



Trailmate

20" & 26" HEFTY HAULER.



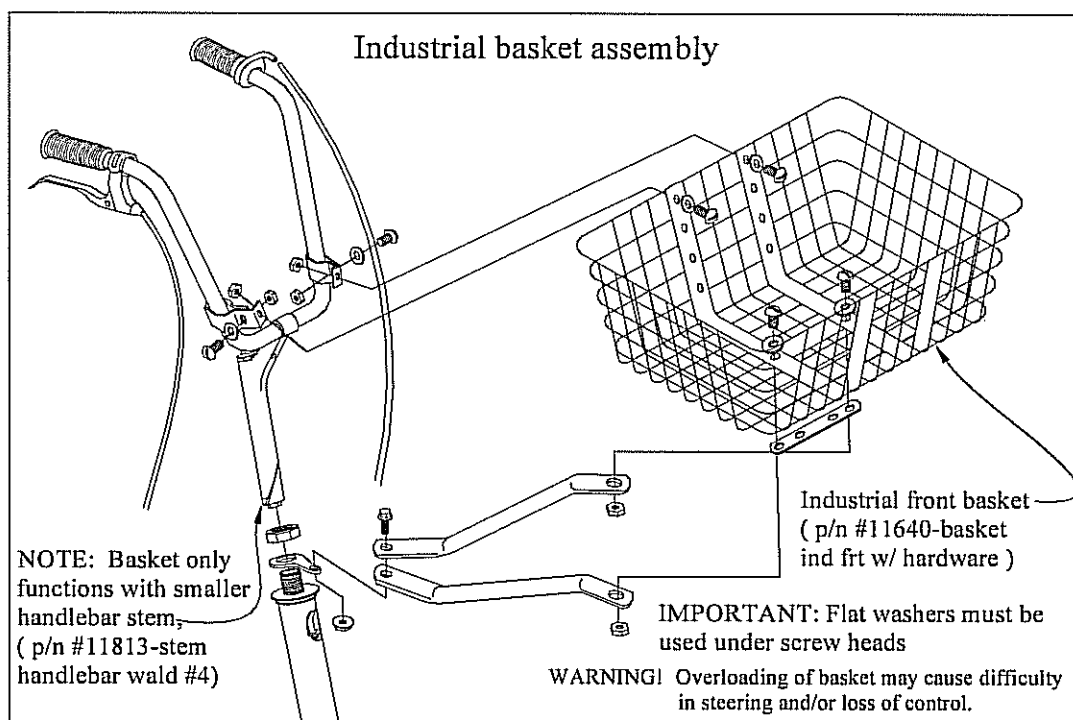
INDUSTRIAL 20" & 26" HEFTY HAULER (HH) PARTS LIST

ITEM #	PART #	DESCRIPTION	QTY	ITEM #	PART #	DESCRIPTION	QTY
1	12241	SET COLLAR 5/8	2	35	12212	SCREW 5/16-18X1 1/2 HHCS	1
2	19640	WASHER 5/8 SAE	4	36	11801	GRIP BLACK 7/8	2
3	11831	HEAD SET COMPLETE	1	37A	11861	REFLECTOR CLEAR FRONT	1
4	11805	HANDLEBAR HI RISE	1	37B	11865	BRACKET REFLECTOR FRONT	1
5	20144	AXLE 26" INDUSTRIAL REAR HH	1	37C	20379	SCREW FRONT REFLECTOR BRKT	1
	19669	AXLE 20" INDUSTRIAL REAR HH	1	===== 3 SPEED COASTER BRAKE OPTION =====			
6	19727BLK	FRAME INDUSTRIAL REAR BLACK HH	1	38*	19713	GRIP SHIFTER PLASTIC WASHER	1
7	20143	FRAME INDUSTRIAL 26" FRONT HH	1	39*	12240	WASHER SPACER 1X41/64X.062	6
	19693	FRAME INDUSTRIAL 20" FRONT HH	1	40*	12269	CABLE TIES	4
8	18220BLK	AXLE BEARING HOLDER BLACK	5	41*	18985	3SPCB DOME NUT	1
9	20345BLK	SEAT POST 15" X 1" OD BLACK 26" HH	1	42*	20141	3SPCB FULCRUM LEVER	1
	20214	SEAT POST STL 9" X 1" OD 20" HH	1	43*	18909	SPROCKET 21T	1
10	12075	SISSY BAR DESOTO ST COLOR	1	44*	18875	HUB 3SPCB TRIKE W/ SST SPROCKET	1
11	11898	BRACKET WESTERN SADDLE	1	45*	19710	GRIP BLACK 3SPCB SHIFTER	1
12	11894	SEAT WESTERN SADDLE	1	46*	18049	3SPCB AXLE NUT RIGHT HAND	1
13*	20247	EXT. SEAT POST/SISSY BAR (OPTION)		47*	18986	3SPCB LOCK WASHERS	2
14	12032	WHEEL FRONT 26X2.125X.105	1	48*	20163	3SPCB SHIFTER W/CABLE INDUSTRIAL	1
	11016	WHEEL FRT 20X2.125X.105	1	49*	20140	3SPCB GEAR SELECTOR GUIDE	1
15	12246	KEY SQUARE 3/16 X 5/8	1	50*	18997	3SPCB INDICATOR CHAIN	1
16	11643	BEARING AXLE	5	51*	20306	3SPCB INDICATOR COVER	1
17	11139	PIN COTTER 1/8 X 1	1	52*	11952	SPROCKET 22T SOLID W/ADAPTER	1
18	20168	CHAIN 26" IND LONG 121 PITCH W/CL	1	53*	20309	CHAIN/CL 67 PITCH 3SPCB	1
	19682	CHAIN 20" IND LONG 143 PITCH W/CL	1	54*	11071	SET SCREW 5/16-18X3/8	2
19	20309	CHAIN IND SHORT 67 PITCH W/CL	1	55*	12301	WASHER 3/8 FLAT SAE	4
20	11696	CRANK 6 1/2" 26" INDUSTRIAL	1	56*	12170	NUT 10-32/ STAR	1
	11695	CRANK 5 1/2" 20" INDUSTRIAL	1	57*	12193	SCREW 10-32 X 1	1
21	11697	CRANK BEARING SET COMPLETE	1	58*	12229	WASHER #10 FLAT	3
22	11934	SPROCKET 36T 1/2 X 1/8	1	59	17380	REFLECTOR RED STICK ON	2
23	20148	CHAINGUARD BRACKET HH	1	60	11718	DECAL TM HEAD	1
24	11115	NUT 5/8-18 JAM	1	61	19325	DECAL "DO NOT STAND ON CYCLE"	1
25	19403	FORK 26" MWT CANTILEVER ST COLOR	1	62	14089	DECAL "AVOID SHARP TURNS"	1
	19697	FORK 20" MWT CANTILEVER ST COLOR	1	63	11719	DECAL TM CHAINGUARD	1
26	18227	BRAKE CABLE 34X 42	1	64	20118	DECAL HEFTY HAULER HH	1
27	11857	PEDAL 1/2 " FR	1	65	12235	WASHER 5/16 USS	2
28	12188	SCREW 10-32X3/8 SLTD HWH T/F/S	2	66	12182	NUT 3/8-26T	2
29	20151	WHEEL REAR 26X2.125 W/BEARINGS	1	67	20012	KEY SQUARE 3/16 X 1 1/4	1
	19347	WHEEL REAR 20X2.125 W/BEARINGS	1	68	20145	CHAINGUARD INDUSTRIAL 26" HH	1
30	11985	RIMSTRIP 26X1.75	3	19686	CHAINGUARD INDUSTRIAL 20" HH	1	
	11984	RIMSTRIP 20X1.75	3	69	11667	HUB CB TRIKE W/22T WELDED SPKT	1
31	20156	TIRE 26X2.125 W/TUBE	3	70	12170	NUT 10-32/STAR	1
	19561	TIRE 20X2.25 W/TUBE	3	71	20281	SCREW 10-32 X 3/8	1
32	20152	WHEEL 26" INDUSTRIAL DRIVE	1	72	12215	SCREW 5/16-18X3/4 CARRIAGE	6
	19685	WHEEL 20" INDUSTRIAL DRIVE	1	73	12218	SCREW 3/8-16X3/4 SHT NECK CARR	2
33	11815	STEM 10"	1	74	12178	NUT 3/8-16 FLANGED	4
34	12175	NUT 5/16-18 FLANGED	7	75	16590	SCREW 3/8-16X2 1/2 HHCS	2

INSTRUCTIONS 20" & 26" HEFTY HAULER

1. Remove back (6) and front (7) frame assemblies from carton.
2. Slide back frame assembly (6) in to front frame assembly (7) fasten securely using bolts (75) and nuts (74).
3. (Rear View) Remove, the outside cotter pin (17) and washer (2) from right axle, install wheel with bearing (29) and fix in place with cotter pin and washer.
4. (Rear View) Install left wheel (32) on axle, using washer (2), key (67), and nut (24)
5. Install the long chain (18) on front sprocket (22).
6. Install chain guard (68).
7. Install handlebar assembly (4).
8. Fasten seat (12) and sissy bar (10) on frame
9. Install pedals (27).
10. Adjust seat and tighten securely by screw (35) and nut (34).
11. Fasten cable to frame with tie cables (40).

Option Front Basket.



Industrial Hauler

This is a recreational unit, not designed for excessive speeds or misuse. Careless operation may cause ride to lose control and result in serious injury. Do not brake or turn at high speeds; this may cause to roll-over and rider injury.

Things to know before riding you cycle:

1. Know your local bicycle laws and wear a helmet.
2. Do not exceed the recommended weight limit 500 lbs.
3. Do not stand on unit.
4. Wear light-colored clothing.
5. Do not ride at night.

MAINTENANCE AND INSPECTION

REGULAR MAINTENANCE: Bi-Monthly

1. Keep all painted parts cleaned and waxed for long-lasting luster.
2. Lubricate the following:
 - Axle shafts
 - Chain- turn pedal crank forward and spray freely.
3. When storing over prolonged periods, turn upside down to prevent flats from occurring on the tires. If stored outside, cover to protect finish and moving parts.

PREVENTIVE MAINTENANCE: Every Six Months

These are services that should be performed by you local bicycle shop. A fee may be charged.

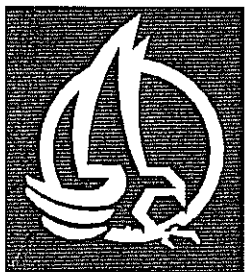
1. Check tires for wear, rim cuts and valve core alignment (usually caused by improper air pressure)
2. Check wheels for cracks and alignment.
3. Check brakes for proper operation.
4. Check and repack all bearings and adjust all cones.
5. Check for worn bearings, cones and cups.
6. Check chain for adjustment and clean as needed.
7. Check for loose bolts and nuts.

Attention: While your unit is new, some noises may occur when the unit is breaking in. Should they continue for more than 30 days, see local bike shop.

INSPECTION

Check the following, as it applies to your cycle, on a regular basis:

1. Hand Brake: Make sure the brake engages, by squeezing the hand brake.
2. Wheels: Check wheels for alignment.
3. Pedals: Inspect pedals and make sure pedals is tightly attached to crank.
4. Handle grips: Replace worn or loose grips.
5. Chain: Check for proper tightness. Replace damaged chain immediately.
6. Seat: Adjust seat for ride comfort and safety.
7. Tires: Keep tires inflated to the recommended tire pressure, as indicated on the tire's sidewall.
8. Frame: Replace damaged frame immediately.



Trailmate

1851 67th AVE East
Sarasota, FL 34243

Tel: (941) 755-5511

Fax: (941) 758-5141

Visit us @ www.trailmate.com

**For service or to order
replacement parts
please contact your
local Trailmate dealer.**

INDUSTRIAL HEFTY HAULER

This is a recreational unit, not designed for excessive speeds or misuse.

Do not brake or turn at high speeds. This may cause cycle to roll over. Careless operation may cause rider to lose control and result in serious injury.

Things to know before riding your cycle:

1. Know your local bicycle laws and wear a helmet.
2. Do not exceed the recommended weight limit of 500 lbs.
3. No more than one rider at one time.
4. Do not stand on unit.
5. Be sure to install safety flags.
6. Wear light-colored clothing and protective gear.
7. Do not ride at night.
8. Children must be supervised by an adult at all times.

Trailmate Limited Warranty

Trailmate, Inc., guarantees each cycle product against all defects in materials and workmanship for a period of 90 days from date of purchase. Tires and tubes are not covered by this guarantee.

During this period, any part that is judged by the makers to be defective will be replaced free of charge. Any failure resulting from accident, abuse, neglect, normal wear, or improper assembly or maintenance by the owner is not covered.

Trailmate, Inc., further authorizes a lifetime frame guarantee and will replace any frame, at no cost to the buyer, providing that item has not been used for rental use and that:

- 1) The item has not been altered, repaired, or modified in any way.
- 2) The item has not been subject to misuse, negligence, and/or an accident.
- 3) Original ownership is established.

Any parts under this guarantee on which claims are entered shall be returned for inspection with transportation charges prepaid by the claimant. Replacement parts will be shipped F.O.B. factory.

There are no warranties or guarantee, expressed or implied, written or oral, which extend beyond the description on the face hereof.